

**Two
dots**



ELECTRIC SCOOTER

ROAD STAR

INSTRUCTION MANUAL

INTRODUCTION

Congratulations! You have just purchased your new Road Star.

Easy and intuitive, it can be used by children aged 8 or more.

This manual will help you understand how to use the device correctly. Read it carefully, comply with all the safety regulations and take care at all times.

SAFETY

This manual contains important information on the child's safety. The user must read and guarantee full understanding of the information and warnings in the manual. Please, read the manual carefully before assembling the scooter and review the information with the young drivers before starting to use it.

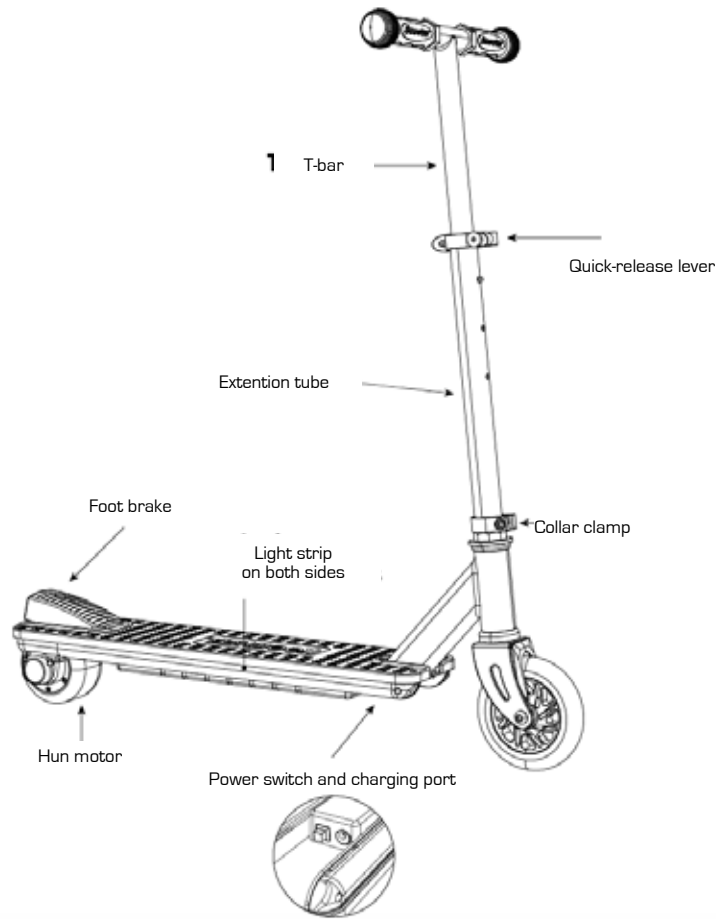
Read this manual carefully and keep it for future reference. The reseller shall not be liable if the product is used in any way that is not compliant with its intended use or if the instructions in this manual are not respected.

WARNING

Onekick Two may be dangerous if you do not pay due attention and care. Make sure you have read the manual before using your Onekick Two. Pay special attention to the following:

- Always check the battery before use. Do not use the device if the battery is not charged.
- Find out about local laws to understand how and where to use the Onekick Two in legal ways and always follow the relevant regulations.
- Avoid obstacles, slippery surfaces, cracks or steep climbs.
- Avoid roads and surfaces with water, sand, leaves and other debris.
- Do not immerse in water.
- Do not exceed the maximum load of 50Kg (including additional weights): exceeding the load limit may cause damage to the vehicle and the rider.
- It is absolutely forbidden to use and transport two or more people.
- Wear safety equipment such as helmets, knee pads and elbow pads to prevent injury of any kind.
- Wear closed shoes.
- Do not use it in poorly lit areas, close to other vehicles. avoid jumps or ramps.
- Avoid jumps or ramps.
- Always drive with caution and responsibility, avoiding using your scooter in bad weather and on dangerous road surfaces.
- Stay alert and concentrated to avoid collisions with people, animals and surrounding objects.
- Pay attention to speed, keep the right speed and pay attention to the safety distance, so as to avoid as much as possible braking too abruptly.
- Respect pedestrians and give them priority.
- Before using the product, please check that the screws are firmly tightened.
- Do not modify the product except in accordance with the manufacturer's instructions.
- Check the product periodically. Replace worn or broken parts immediately.
- When using the product, keep hands and fingers away from wheels and other moving parts to avoid the risk of crushing.
- Children below 8 years of age should not use the device.
- Children may use the device under the supervision and responsibility of an adult.
- The product is devised for domestic use or for use in private areas.

COMPONENTS



ASSEMBLY

1. Insert the handlebar into the fork.
2. Adjust the handlebar height.
3. Use the Allen key to tighten the bolt.

Caution: install the clamp correctly to avoid losing control of the vehicle.



HANDLEBAR ADJUSTMENT

The handlebar should be placed at a height slightly below the user's chest.

Caution: the tension of the release lever can be adjusted manually by tightening or loosening the nut. If the nut is tightened too much, the handlebar will be difficult to move.

1. Open the release lever.
2. Push the button to release and move the handlebar to the desired height until you hear a click.
3. Tighten to close the lever and the handlebar will now be fixed at the desired height.



Caution: incorrect attachment of the release lever may cause the handlebar to slide up or down.

BATTERY RECHARGING

A lithium ion battery is installed inside the Road Star. Please fully charge the battery before using the Road Star for the first time.

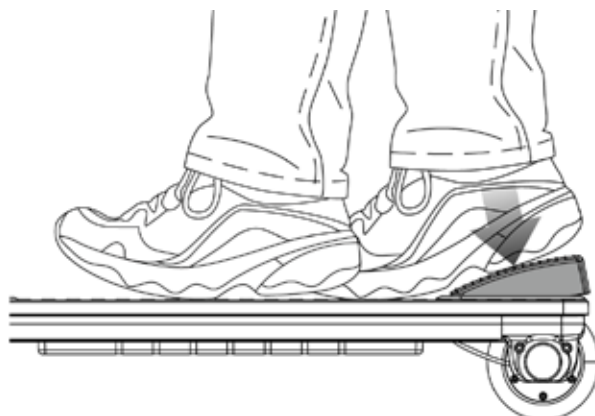
- Insert the power cable into the front of the platform.
- While charging, the LED lights will be red. When fully charged, the LED lights will turn green.
- Charging the device fully will require about 2-3 hours.

WARNING

- Reduced battery autonomy in winter is perfectly normal since the battery performance decreases in cold weather.
- Store the product with the charged battery. Leaving the product with discharged battery or with battery level close to 0% over long periods of time may cause damage to the battery. Recharge the device at least once a month even if you did not use it.
- Keep the device in a sheltered, cool and dry place. Wet places may cause condensation inside the battery and damage it.
- Recharge the battery in a clean, dry place, away from inflammable objects, heat sources and direct sunlight.
- Do not overcharge the batteries.
- Do not recharge at temperatures close to 0°C.
- Use the provided power supply only.
- Do not use the device while it is charging.

USE

- Press the switch on the battery compartment to turn the Road Star on. The LED lights will light up on both sides.
- Hold the handlebar with both hands and place one foot on the platform.
- Use the foot still on the ground to push yourself forward. Press the accelerator on the handlebar. The engine will start when the vehicle reaches a speed of 3 km/h.
- To brake, place a foot on the brake placed above the rear wheel.



MAINTENANCE

Store the device in a dry place, away from any heat sources and direct sunlight.

A long exposure to UV rays, rain and atmospheric agents may damage the materials that make up the vehicle. If you do not recharge the lithium ion batteries for long periods of time, they tend to discharge automatically. Full battery discharge or battery levels close to 0% may damage the battery and make it unfit for future use. It is advisable to charge the battery at least once a month. If required, clean the device with a wet cloth. When you do so, the device must be switched off and disconnected from the power supply. Do not spray low- or high-pressure water directly on the device and do not plunge it into water or any other liquids.

WARRANTY

Please, keep the payment receipt as a proof of purchase so that you are entitled to warranty pursuant to the law. The warranty is structured as follows:

- **2 years' warranty for the vehicle, except for the battery and tyres.**
- **6 months' warranty for the battery, engines and tyres.**

Warning – The warranty does not cover the following conditions:

- Malfunctioning caused by incorrect use.
- Malfunctioning caused by unauthorized changes, by the disassembly of components or by reparations completed by the user.
- Damage or malfunctioning originating from incorrect storage.
- No or non-compliant proof of purchase.
- Damage caused by use on improper surfaces.
- Damage caused by long use in the rain or by plunging the device into the water.

CONTACTS

2018 Twodots

Twodots is a registered trademark of X-Joy Srl.

Produced and imported by X-Joy Srl – Via Sempione, 17 – 21011 Casorate Sempione (VA)

The product meets the essential requirements and all provisions of the following European Directives:

2011/65/EU – 2014/30/EU – 2009/48/EC – EN71-1:2018 EN71-2:2014 EN71-3:2018.

Customer care: support@twodots.it

www.twodots.eu